

Proceed as follows:

- Switch off the power supply.
- Take out the labelling strips (fig.1.1).
- Open the front door.
- Unlock the front connector and pull it off the module.
- Undo the module fixing screws.
- Swing the module up and off the rail.
- Remove the front connector coding keys from the new module (fig.1.2).

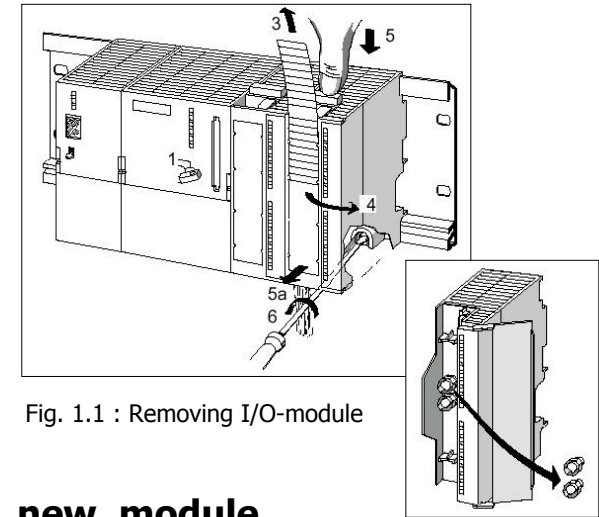


Fig. 1.1 : Removing I/O-module

Fig. 1.2 : Removing coding keys

- Hook the new module of the same type onto the rail and swing it down into place and bolt the module tight (fig.1.3).
- Slip the labelling strip of the old module into its guide on the new module.
- Open the front door (fig.1.4).
- Bring the front connector back into its operating position.
- Close the front door.

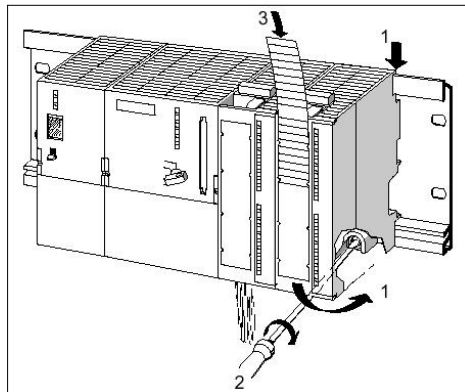


Fig. 1.3 : Installing I/O-module

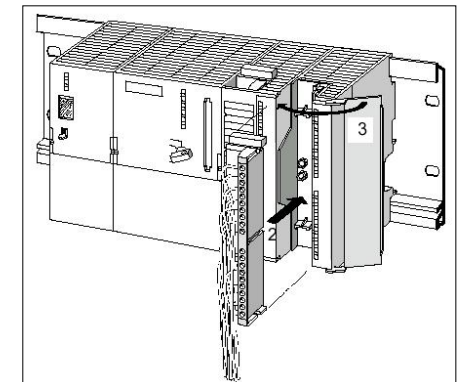


Fig. 1.4 : Plugging in the front connector